



HOSE BARBS

316 SS

FEATURES & APPLICATIONS:

- Low pressure fluid transfer, suction and discharge. Working pressures may vary with hose type and clamping system used to install couplings.
- Hose Barbs are recommended for low pressure discharge and suction service for compatible liquids. NOT for compressible products such as Air, Nitrogen and Steam.



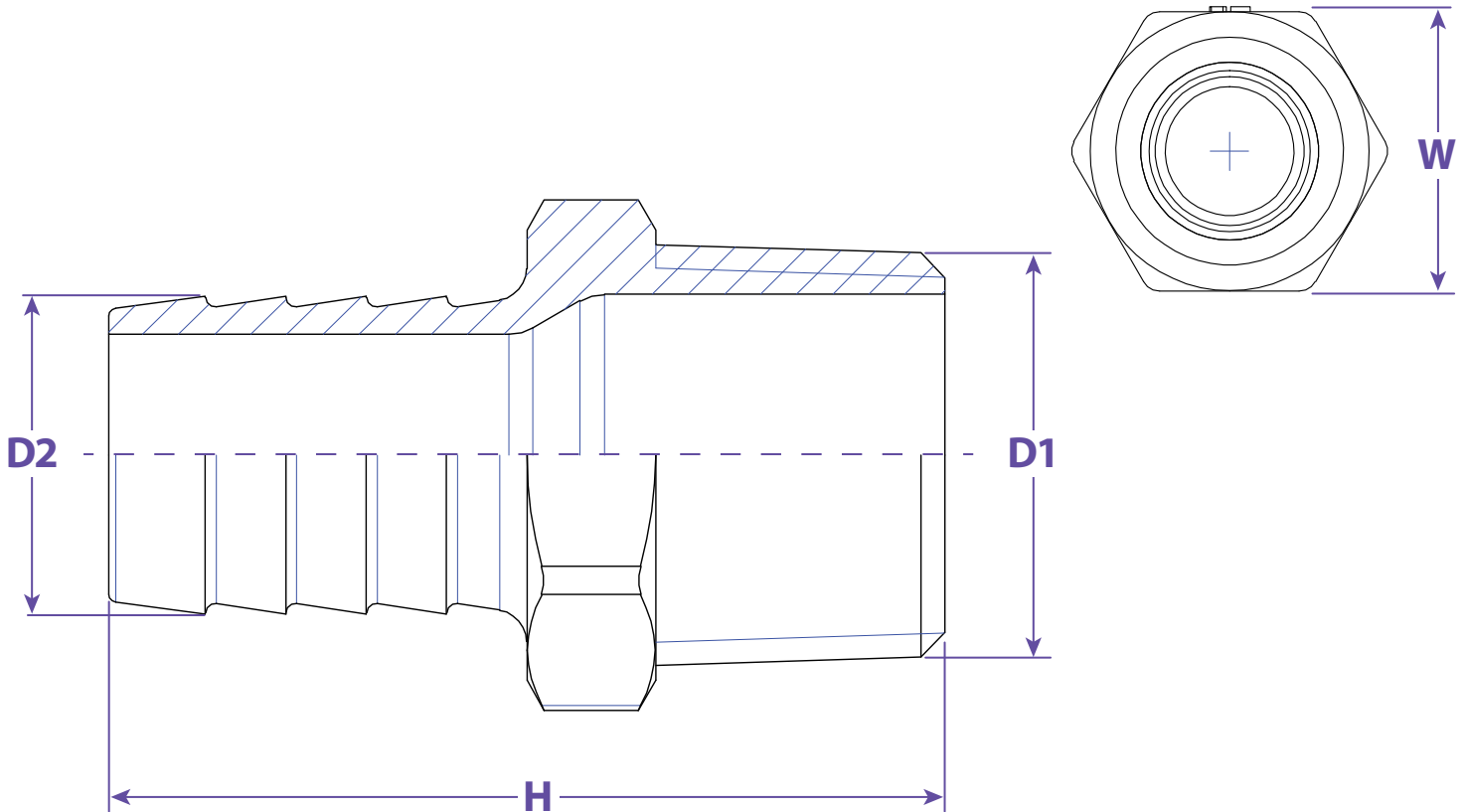
316 SS

STAINLESS 316

SIZE	316 SS
1/2"	HB 050SSI
3/4"	HB 075SSI
1"	HB 100SSI
1-1/4"	HB 125SSI
1-1/2"	HB 150SSI
2"	HB 200SSI
2-1/2"	HB 250SSI
3"	HB 300SSI
4"	HB 400SSI
6"	HB 600SSI



Information contained on this page is for general information purposes only. Seal Fast Inc. assumes no responsibility for errors or omissions for this product.



Dimensions

D1	D2	H	W	Part#
1/2" NPT	0.6	2.1732	0.8661 (hex)	HB 050SSI
3/4" NPT	0.8	2.0472	1.1024 (hex)	HB 075SSI
1" NPT	1.0	2.6772	1.3780 (oct)	HB 100SSI
1-1/4" NPT	---	---	---	---
1-1/2" NPT	1.5	4.1142	1.9685 (oct)	HB 150SSI
2" NPT	2.0	4.1339	2.4803 (oct)	HB 200SSI
2-1/2" NPT	---	---	---	HB 250SSI
3" NPT	---	---	---	HB 300SSI
4" NPT	---	---	---	HB 400SSI
6" NPT	---	---	---	HB 600SSI

TITLE COMBINATION NIPPLES - HOSE BARB

DISCLAIMER

All drawings and specifications are subject to change without notice. Drawings represent general dimensions of our products. Seal Fast cannot guarantee the dimensions of the part will exactly match those in the drawing. This drawing is the property of Seal Fast Inc. Copying or reproduction of this drawing is expressly prohibited.

MATERIAL

SFxxxSSI Stainless 316

DRAWING NOT TO SCALE

PART # SF...SSI

